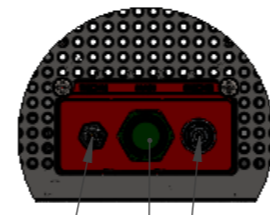


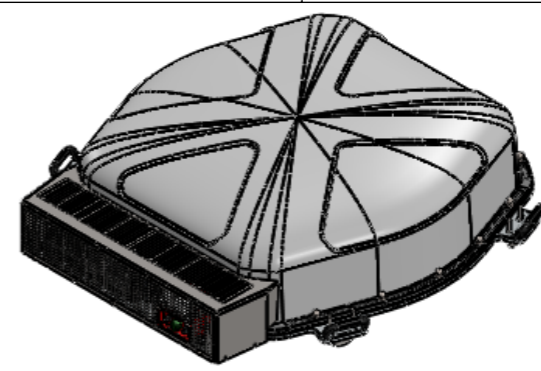
DETAIL A
SCALE 1 : 5



CHANNEL 1 TX
TNC

CHANNEL 2 RX
N-TYPE

MAIN CONNECTOR



TECHNICAL DATA	
ELECTRICAL & RF	
Frequency Range	TX: 13.75 Ghz to 14.5 Ghz RX: 10.75Ghz to 12.75 Ghz
Gain	TX: >35.4 dbi RX: >34.1 dbi
SSPA Output Power	40W
G/T	min: 10.8 db/K typ 11.6 db/K
PHYSICAL & INTERFACES	
Antenna weight	52 Kg
Power input	AC: 110V-220V and DC: 12V (24V optional)
Power consumption	450 W peak 380 average
RF Interfaces	L-BAND
Azimuth	360°
Elevation	6°-90°
Work Temparture	-40°c-75°c
Storage Temparture	-55°c-75°c

FIRST ANGLE PROJECTION 	NAME	DATE	MOBILE SATELLITE COMMUNICATION
	DRAWN B.K	09/04/2018	
DIMENSIONS: MM	DESIGN B.K	10/04/2018	MOST MKU40 ICD
	CHECK	10/04/2018	
	APVD. ZAH	10/04/2018	
DO NOT SCALE DRAWING	NEXT ASSY. --	DWG NO. MEC-KU40-000-000	REV 01
		SCALE: 1:20	SIZE: A3
			SHEET 1 of 1

THIS DOCUMENT CONTAINS PROPRIETARY INFORMATION OF **MOST LTD.**
AND MAY NOT BE REPRODUCED, COPIED DISCLOSED OR UTILIZED IN ANY WAY, IN WHOLE OR
IN PART, WITHOUT THE PRIOR WRITTEN CONSENT OF **MOST LTD.**