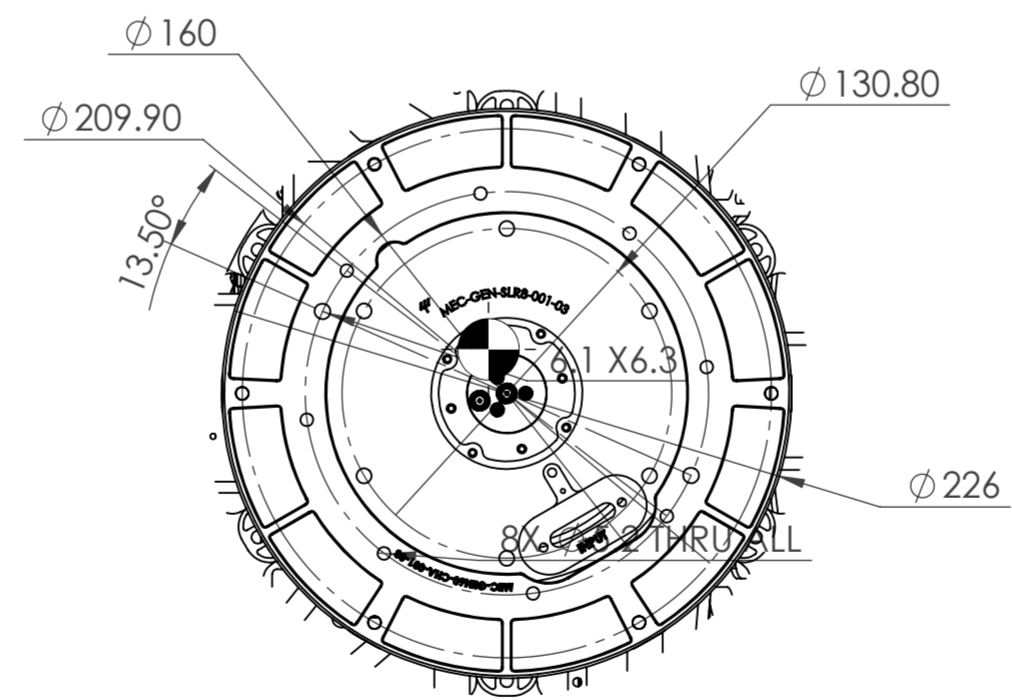
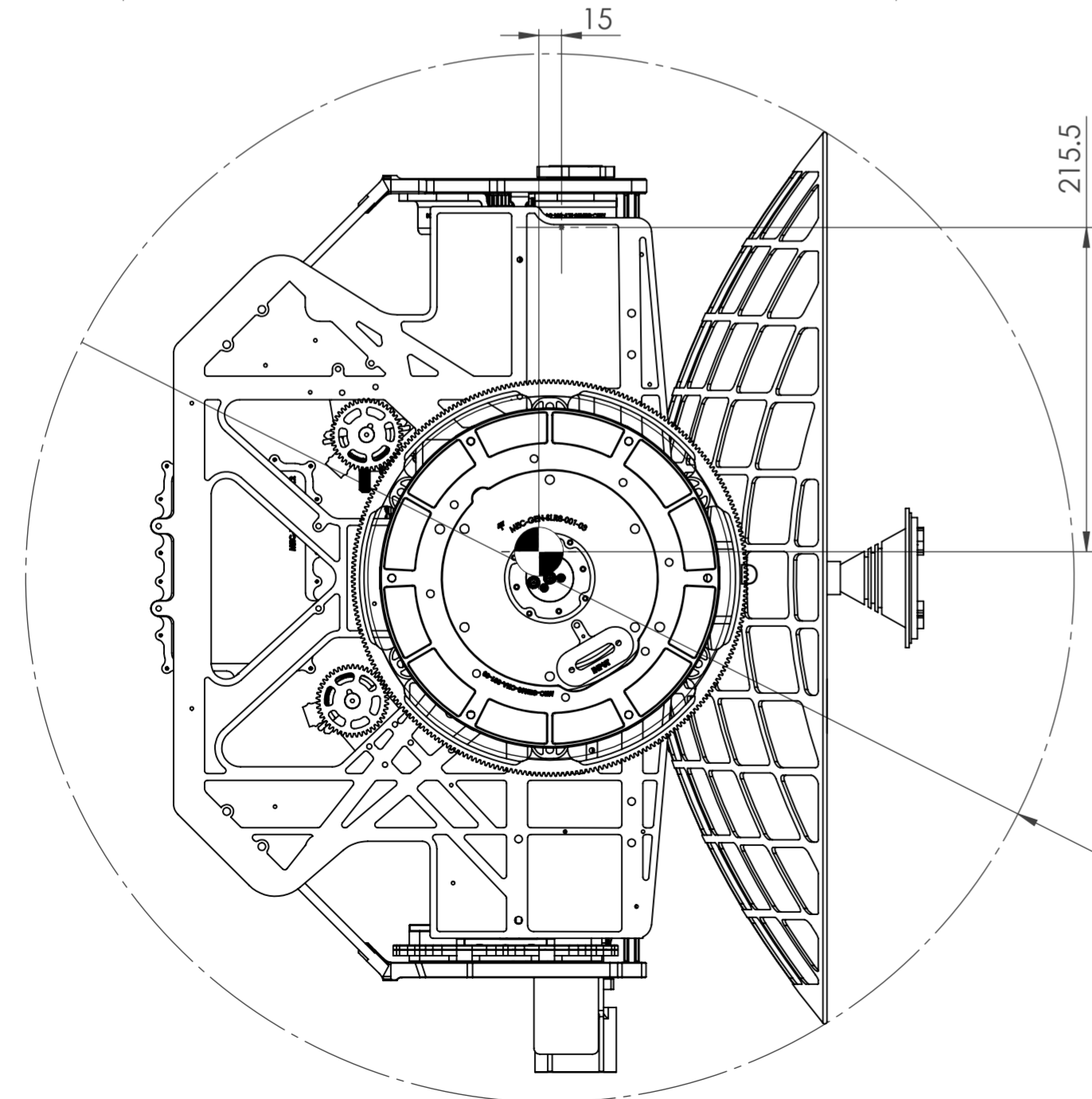
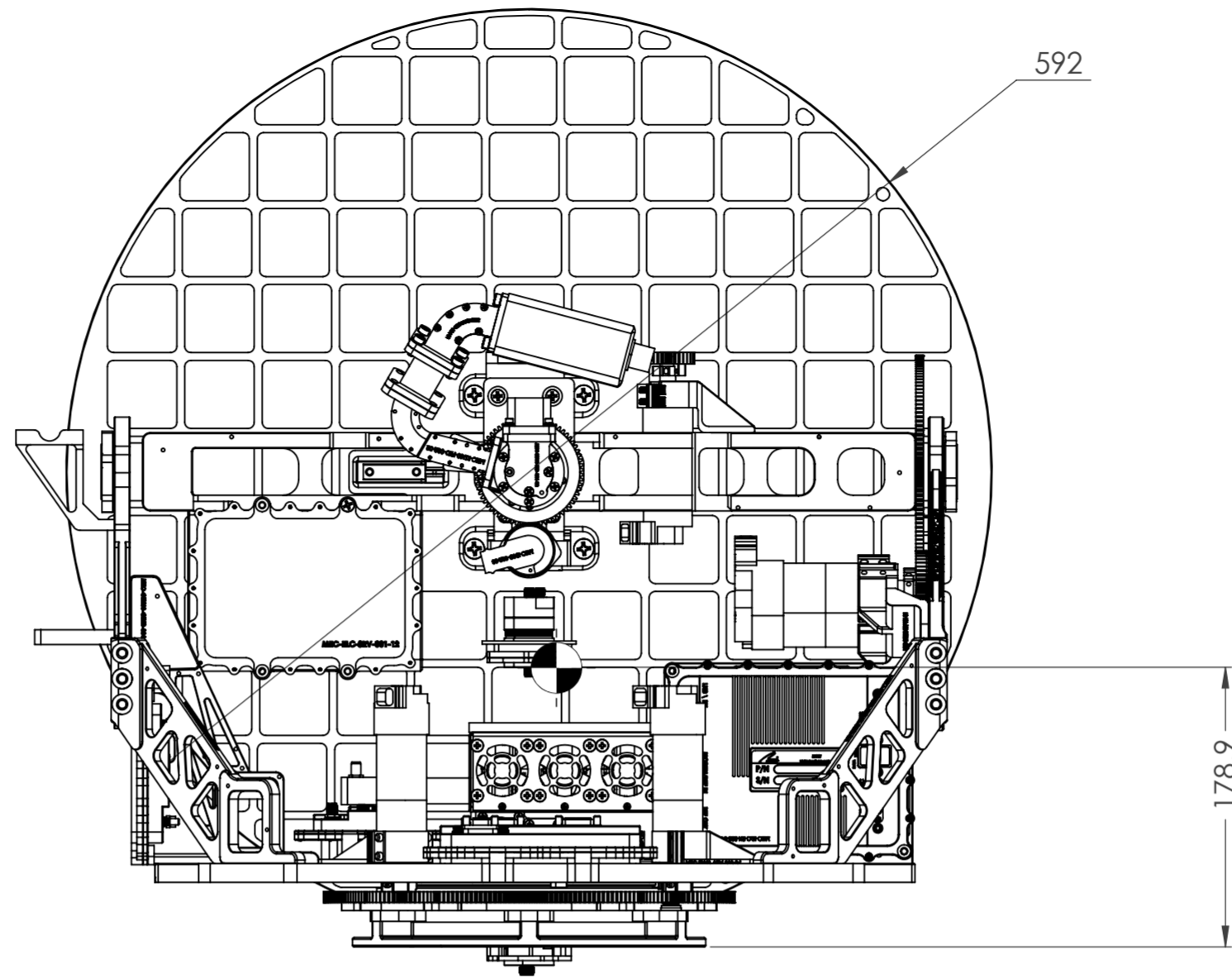
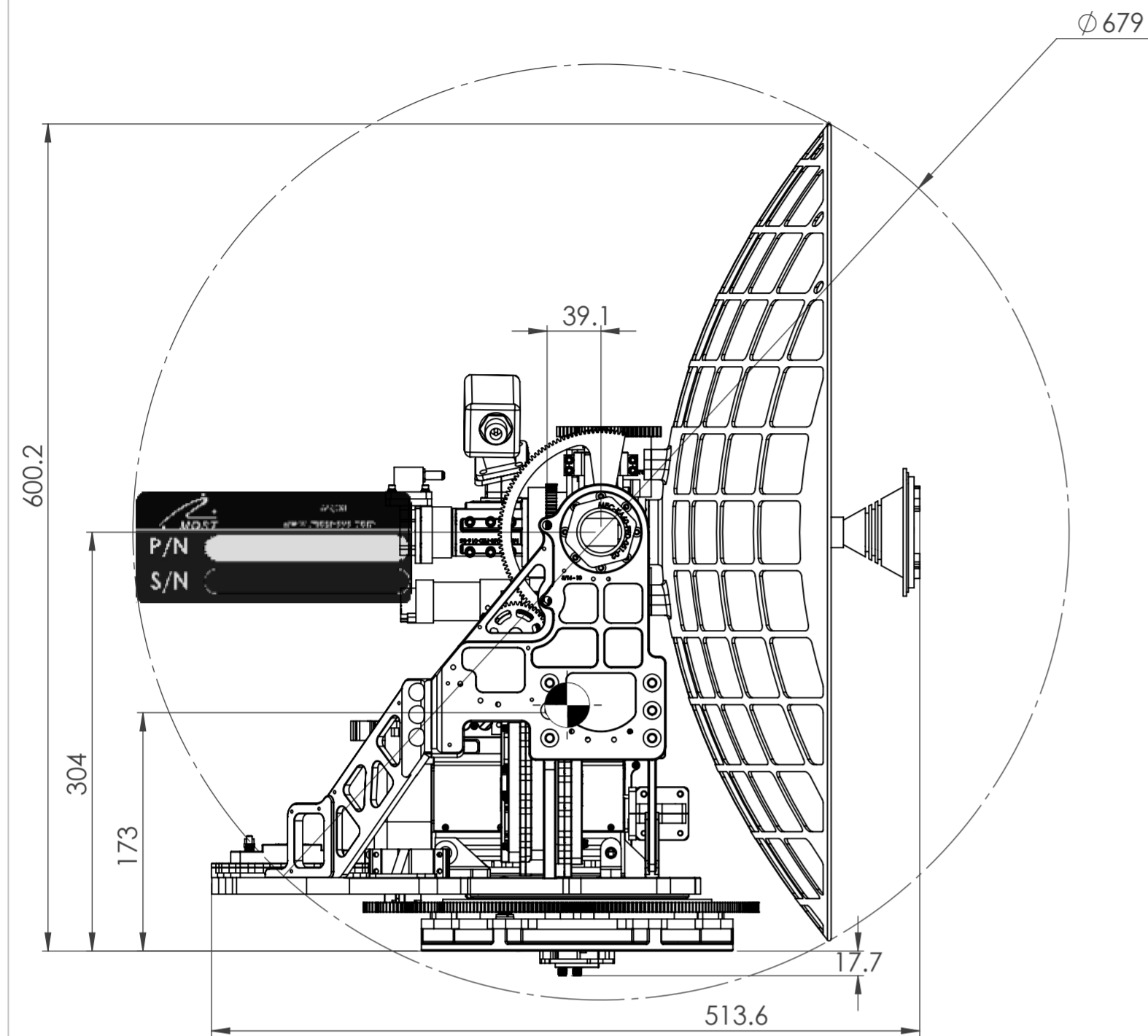
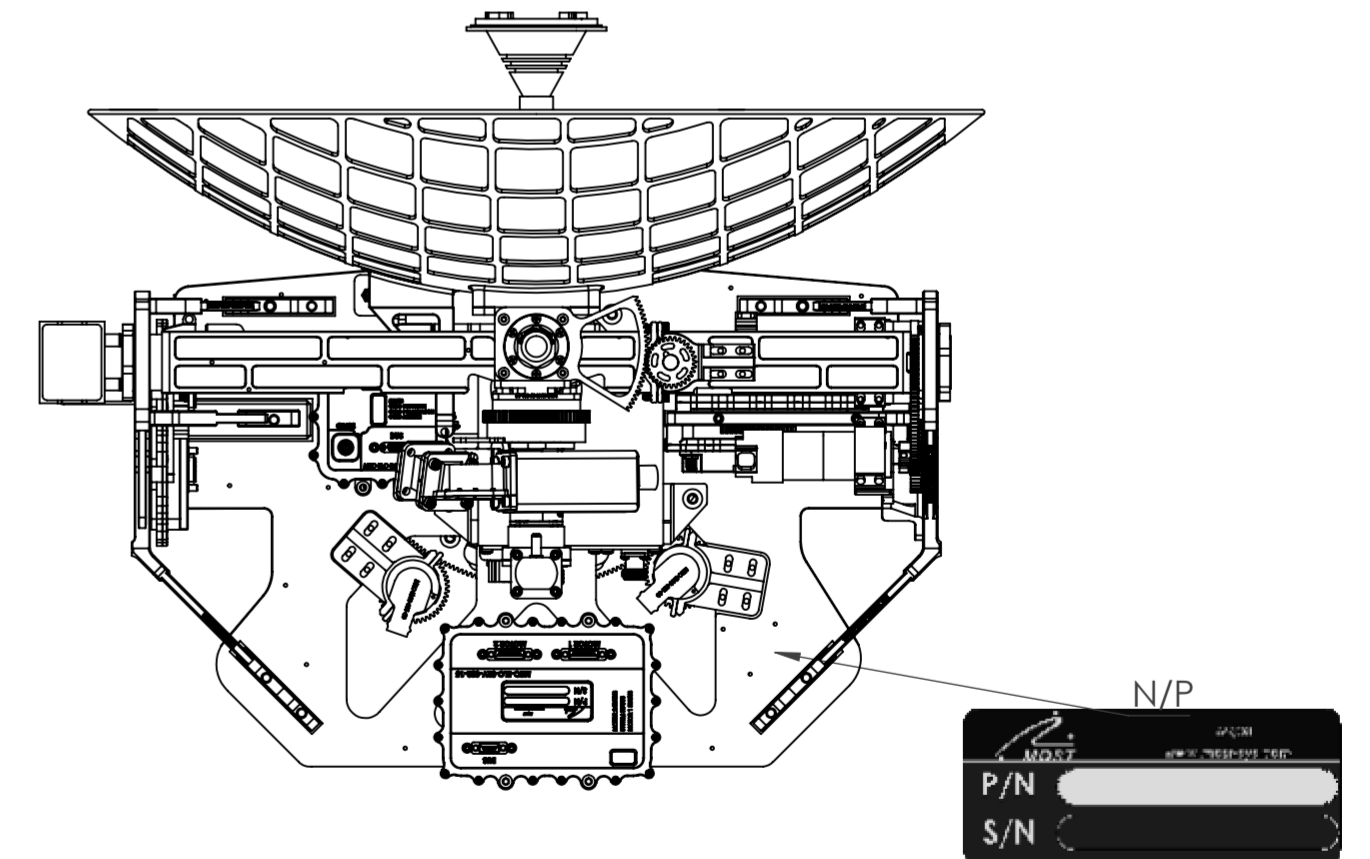


THIS DOCUMENT CONTAINS PROPRIETARY INFORMATION OF MOST LTD., AND MAY NOT BE REPRODUCED, COPIED, DISCLOSED OR UTILIZED IN ANY WAY, IN WHOLE OR IN PART, WITHOUT THE PRIOR WRITTEN CONSENT OF MOST LTD.

ZONE	REV	DESCRIPTION	DATE	APVD
01	01	Specifications	27/12/2023	Zachi



DETAIL D
SCALE 1 : 3



TECHNICAL DATA	
ELECTRICAL	
Frequency Range	TX: 13.75 Ghz to 14.5 Ghz RX: 10.7Ghz to 12.75Ghz
BUC Power consumption	270W MAX
Azimuth range	360° continues rotation
Elevation range	-2°+110°
XElevation range	±18°
Polarization range	±135°
Polarization range	Linear Continues
Acquisition and Tracking	20 Sec
PHYSICAL & INTERFACES	
Antenna weight	23±0.4 Kg
Voltage input	22-32VDC
Power consumption	100W MAX (without BUC)
Interfaces	TX to modem: TNC[BH] RX to modem:N-TYPE[BH] MAIN: JD38999 /24WD35PN
Temparture	working: -40°c - +75°c storage: -55°c - +85°c

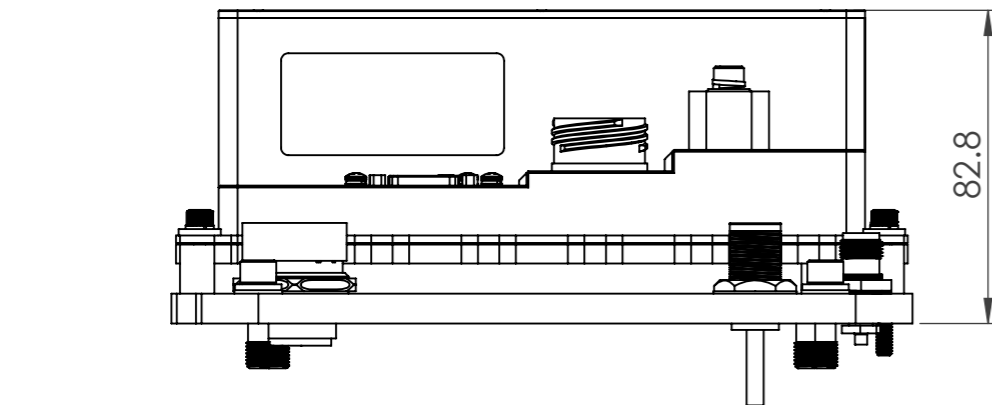
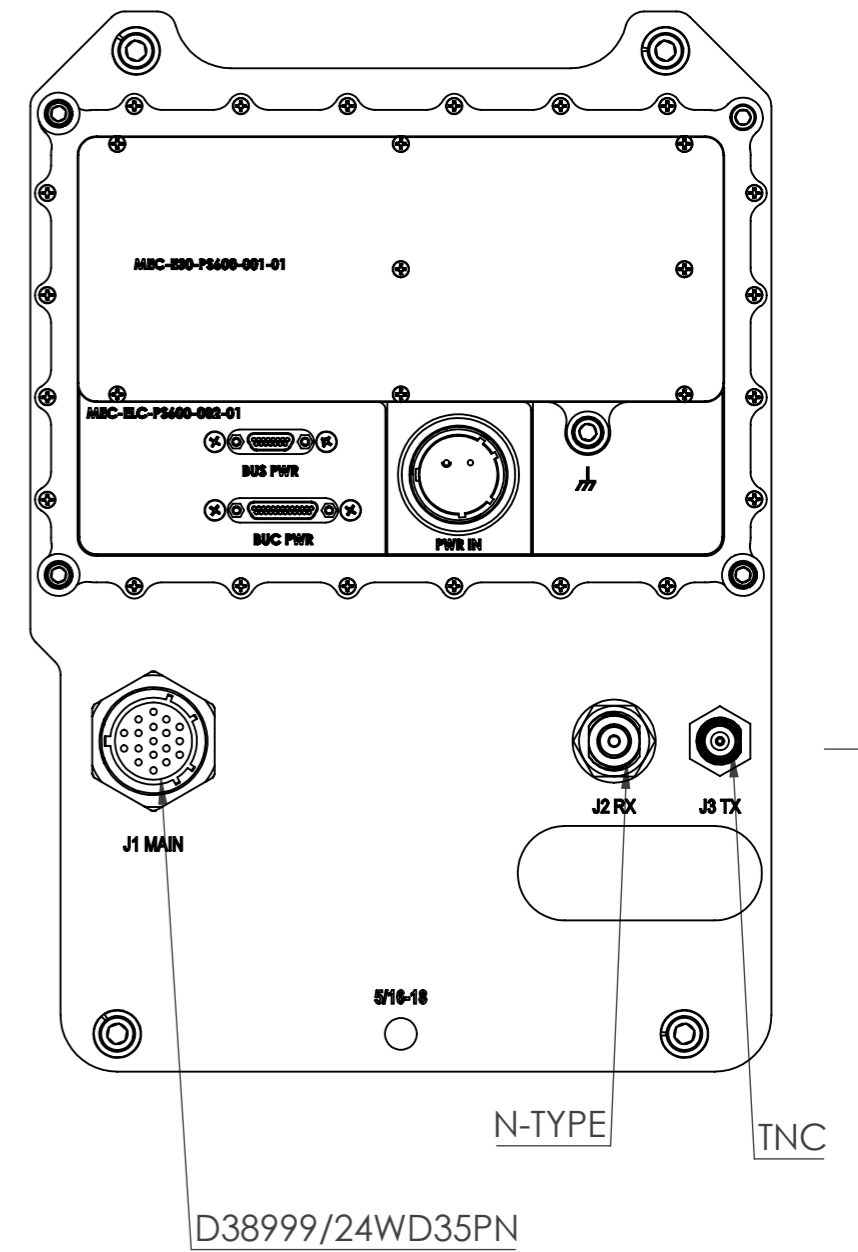
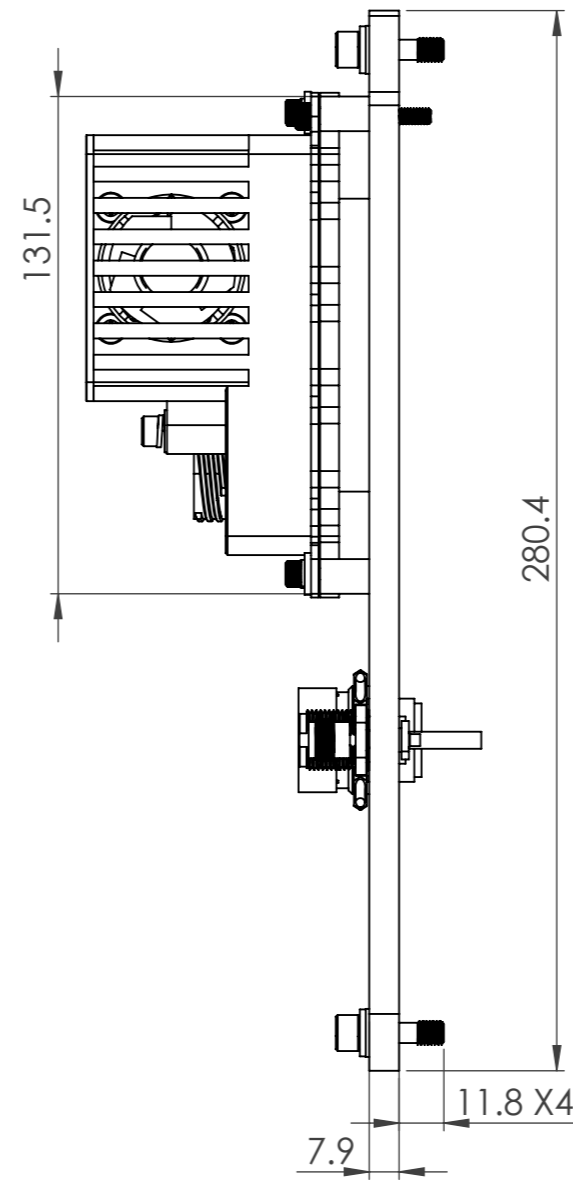
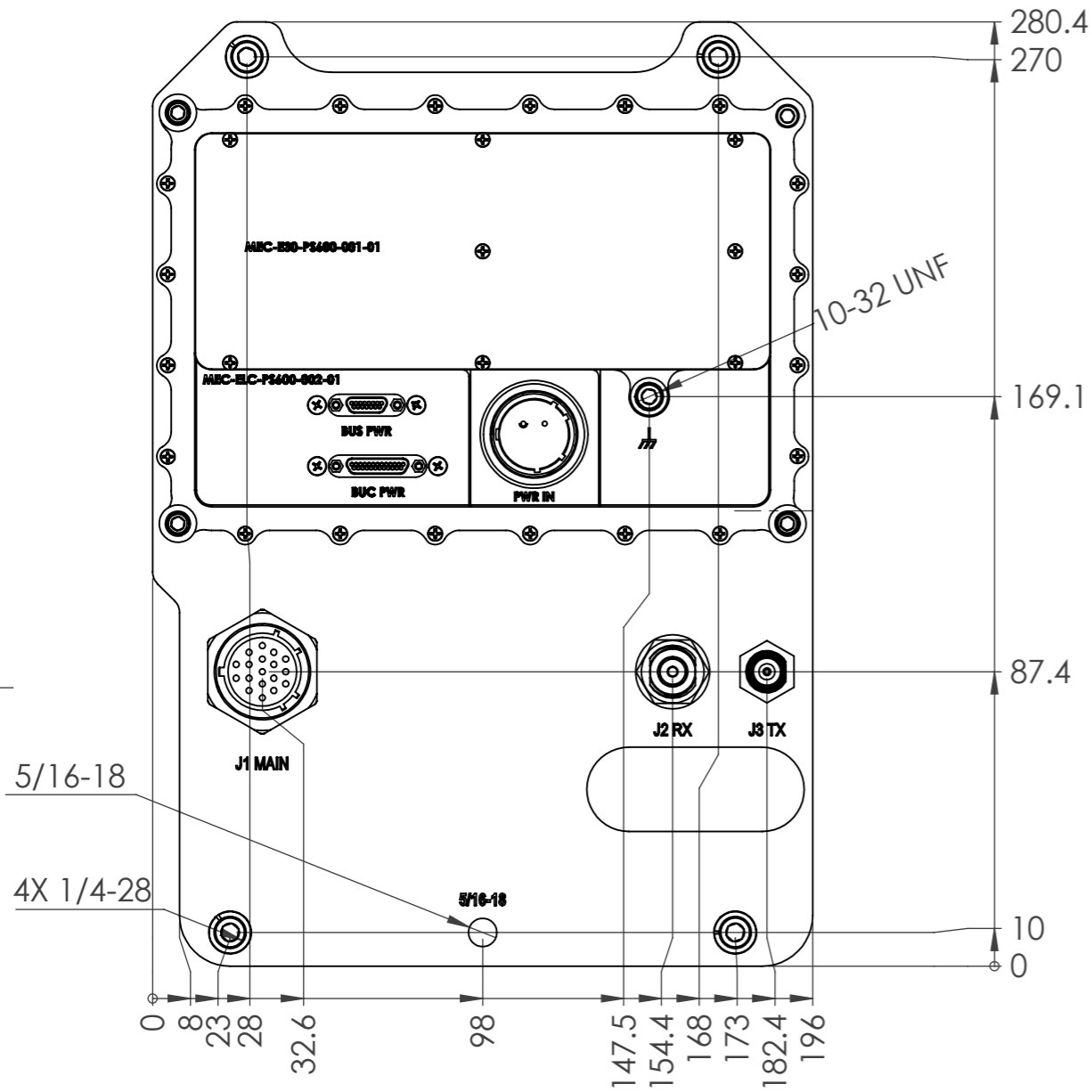
FIRST ANGLE PROJECTION		NAME	DATE
		DRAWN	D.Berges 27/12/2023
GENERAL TOLERANCES (ISO 2768-V)		DESIGN	D.Berges 27/12/2023
FROM	TO (INCD)	CHECK	D.Berges 27/12/2023
0	6	APVD.	ZAHl 27/12/2023
6	30		
30	120		
120	400		
400			
ANGLES			
		NEXT ASSY.	--
DIMENSIONS: MM		DO NOT SCALE DRAWING	

MKu60E

DWG NO.	MEC-KU60-000	REV	ANY
SCALE:	1:10	SIZE:	A3
		SHEET 1 of 2	

THIS DOCUMENT CONTAINS PROPRIETARY INFORMATION OF MOST LTD., AND MAY NOT BE REPRODUCED, COPIED DISCLOSED OR UTILIZED IN ANY WAY, IN WHOLE OR IN PART, WITHOUT THE PRIOR WRITTEN CONSENT OF MOST LTD.

ZONE	REV	DESCRIPTION	DATE	APVD



FIRST ANGLE PROJECTION		NAME	DATE	POWER SUPPLY ASSEMBLY	
		DRAWN	D.Berges		
GENERAL TOLERANCES (ISO 2768-V)		DESIGN	D.Berges	27/12/2023	DWG NO. MEC-KU60-000
FROM	TO (INCD)	CHECK	D.Berges	27/12/2023	
0	6	APVD	ZAH	27/12/2023	
6	30	DEBURR ALL SHARP EDGES AND CORNERS		REV 01	
30	120	NEXT ASSY. --		DWG NO. MEC-KU60-000	
120	400	DO NOT SCALE DRAWING		SCALE: 1:10	
400				SIZE: A3	
ANGLES				SHEET 2 of 2	
DIMENSIONS: MM					