

THIS DOCUMENT CONTAINS PROPRIETARY INFORMATION OF **MOST** LTD., AND MAY NOT BE REPRODUCED, COPIED, DISCLOSED OR UTILIZED IN ANY WAY, IN WHOLE OR IN PART, WITHOUT THE PRIOR WRITTEN CONSENT OF **MOST** LTD.

ZONE	REV	DESCRIPTION	DATE	APVD
01	01	Specifications	27/12/2023	Zachi

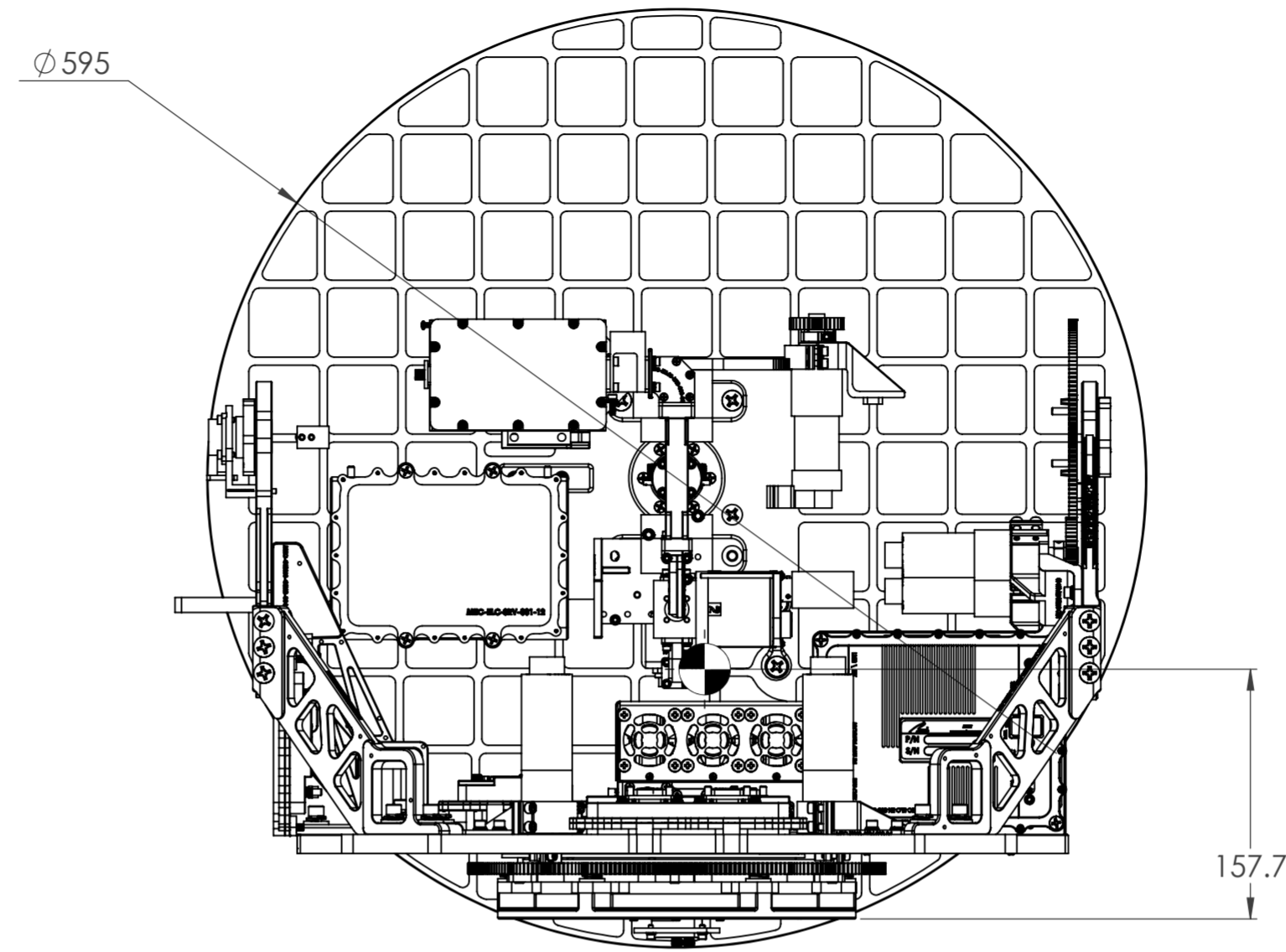
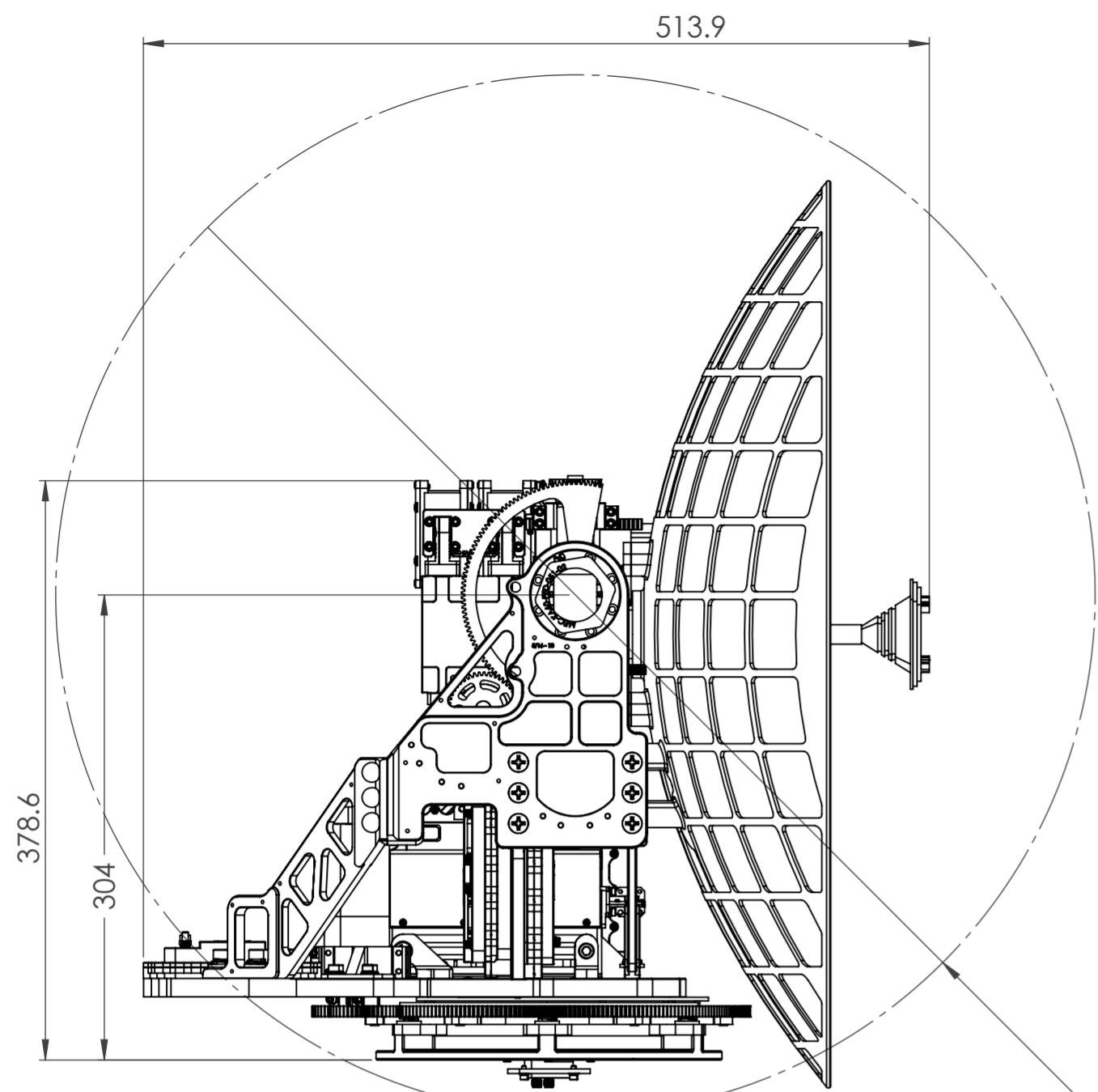
TECHNICAL DATA

ELECTRICAL

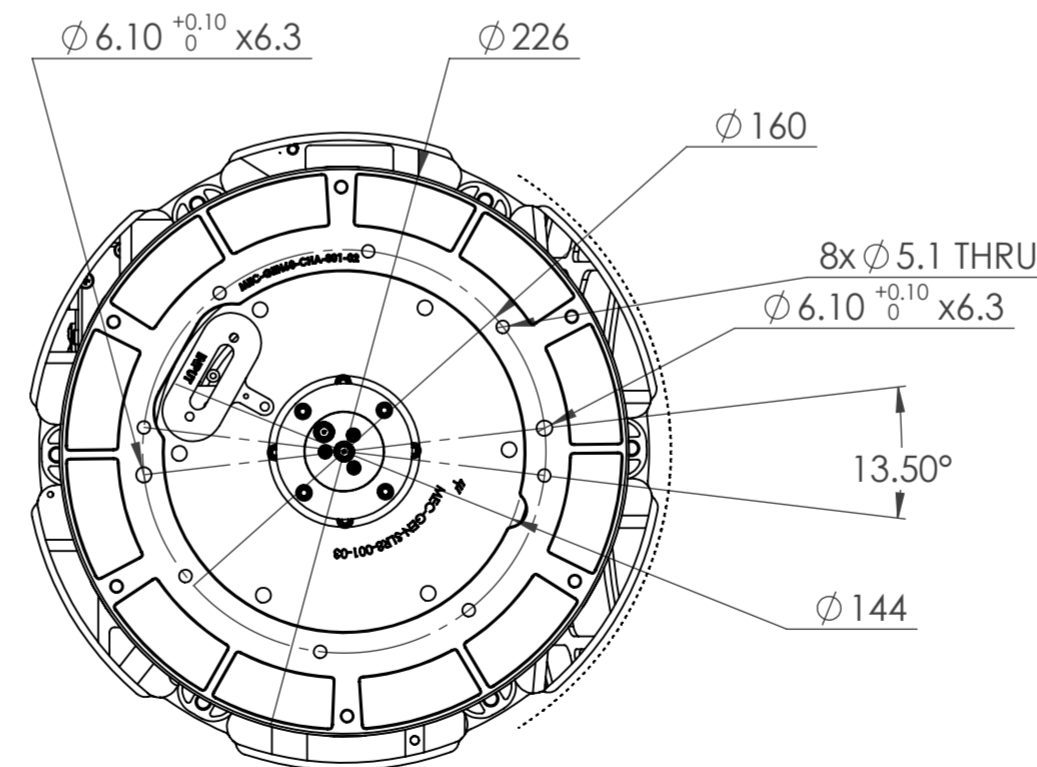
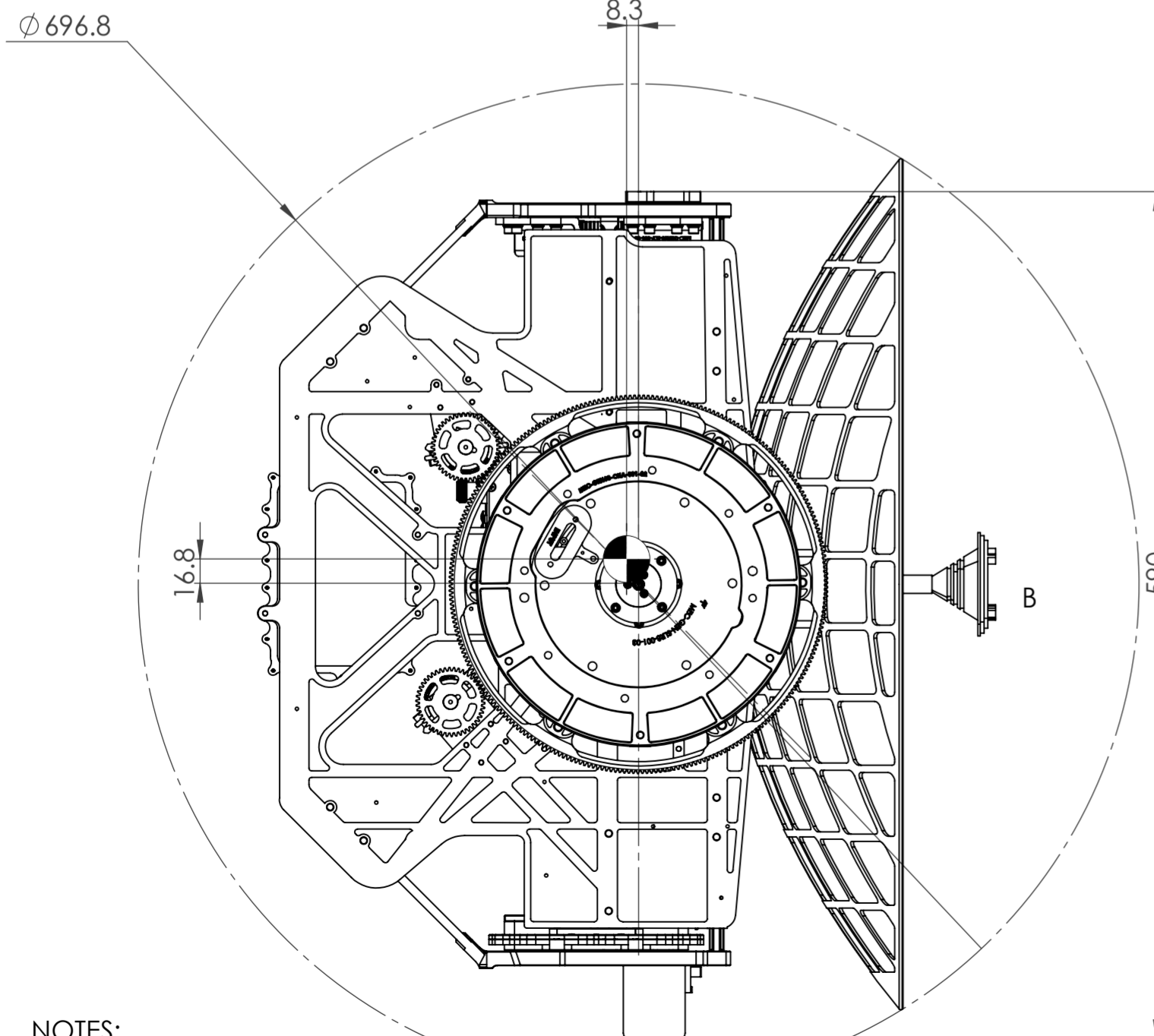
Frequency Range	TX: 27.5 Ghz to 30.0 Ghz RX: 17.7Ghz to 20.2Ghz
Gain	TX: >42.0 dbi @ 29.5 GHz RX: >39.2 dbi @ 19.7 GHz
BUC Power consumption	270W MAX
G/T	min: 16 db/K typ: 16.5 db/K
Azimuth range	360° continues rotation
Elevation range	-2°+110°
XElevation range	±18°
Polarization range	4 POL RHCP/ LHCP
Acquisition and Tracking	20 Sec

PHYSICAL & INTERFACES

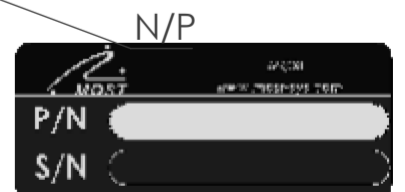
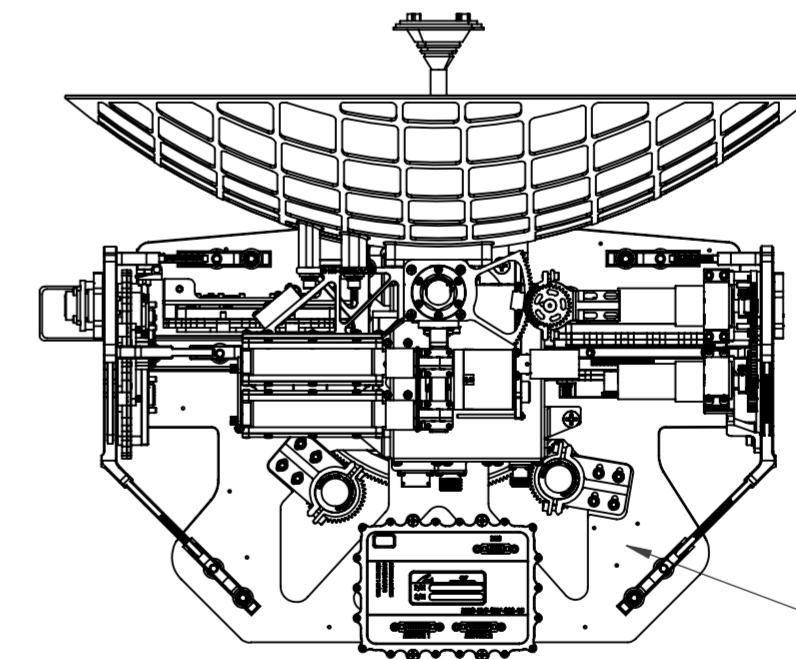
Antenna weight	23±0.4 Kg
Voltage input	22-32VDC
Power consumption	100W MAX (without BUC)
Interfaces	TX to modem: TNC[BH] RX to modem:N-TYPE[BH] MAIN: JD38999 /24WD35PN
Temparture	working: -40°c - +75°c storage: -55°c - +85°c



Ø 679.50



DETAIL B
SCALE 1 : 3



NOTES:
Color Black

FIRST ANGLE PROJECTION		NAME	DATE
FROM	TO (INC'D)	DRAWN	D.B 27/12/2023
0	6	DESIGN	D.B 27/12/2023
6	30	CHECK	D.B 27/12/2023
30	120	APVD.	ZAH 27/12/2023
120	400		
400			
ANGLES		NEXT ASSY.	--
		DO NOT SCALE DRAWING	
GENERAL TOLERANCES (ISO 2768-V)		DWG NO. MEC-KA60-000	
		SCALE: 1:10	SIZE: A3
			SHEET 1 of 2

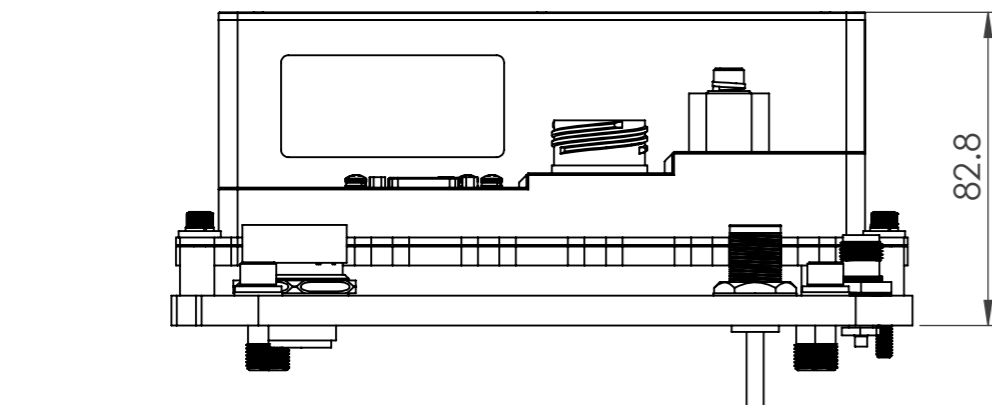
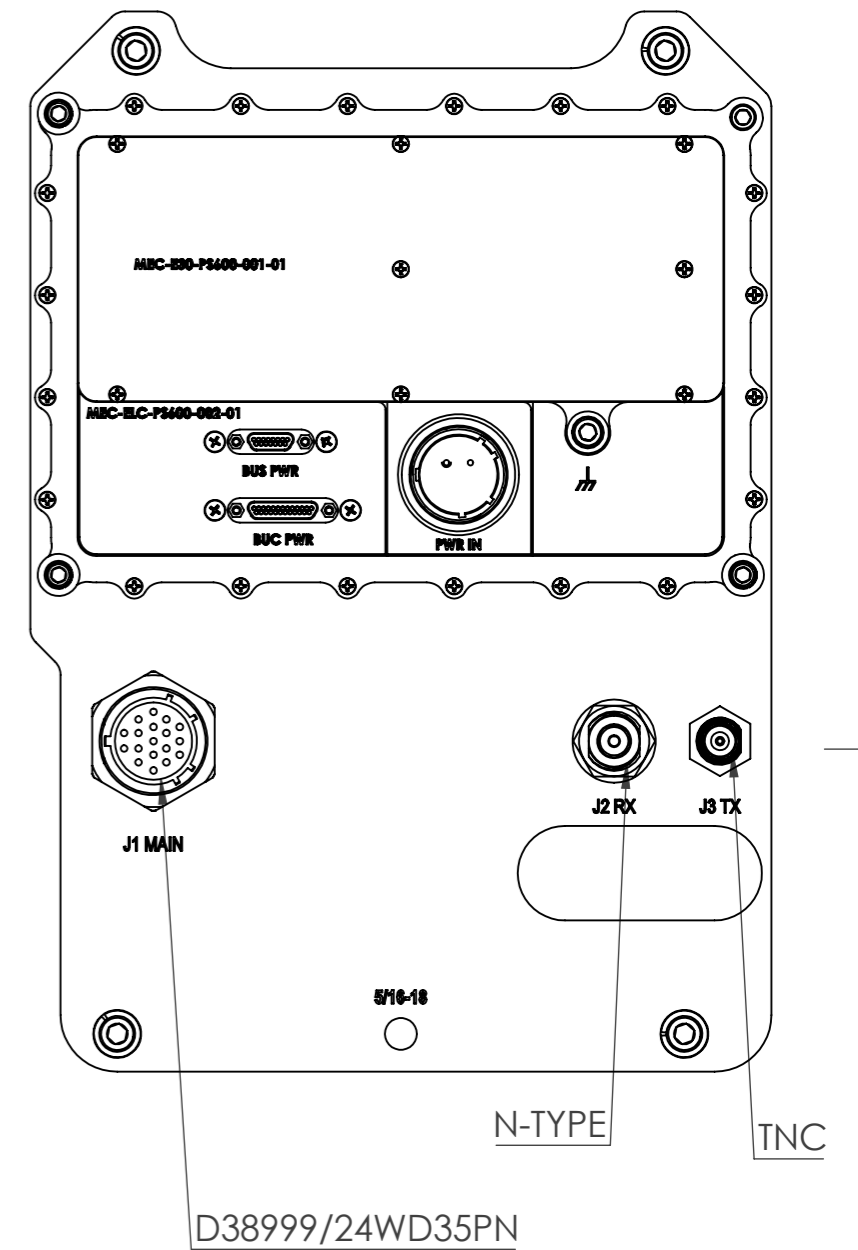
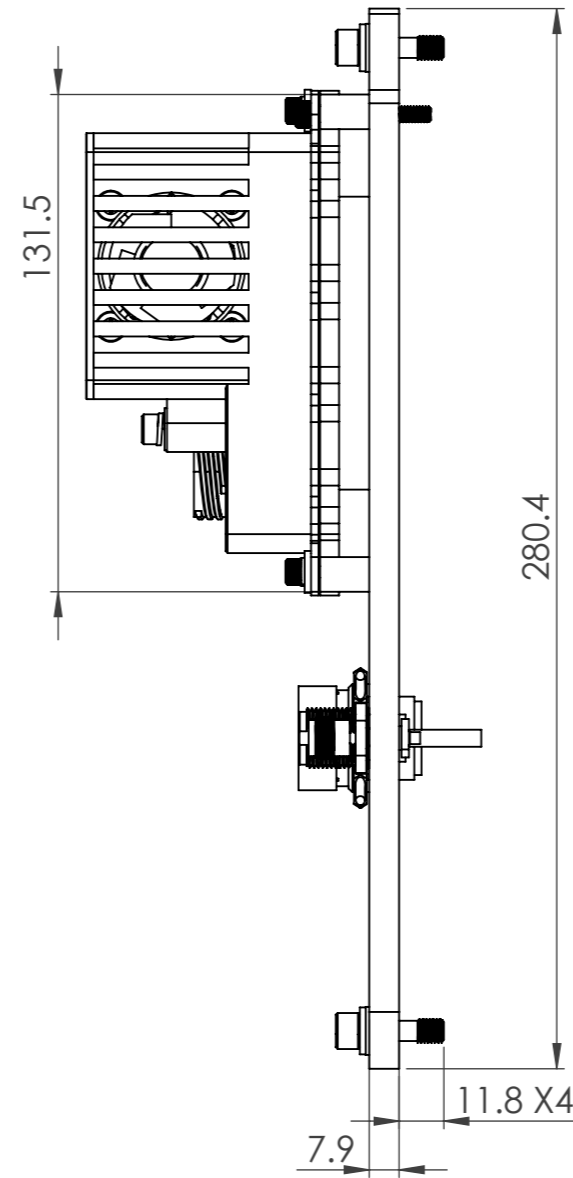
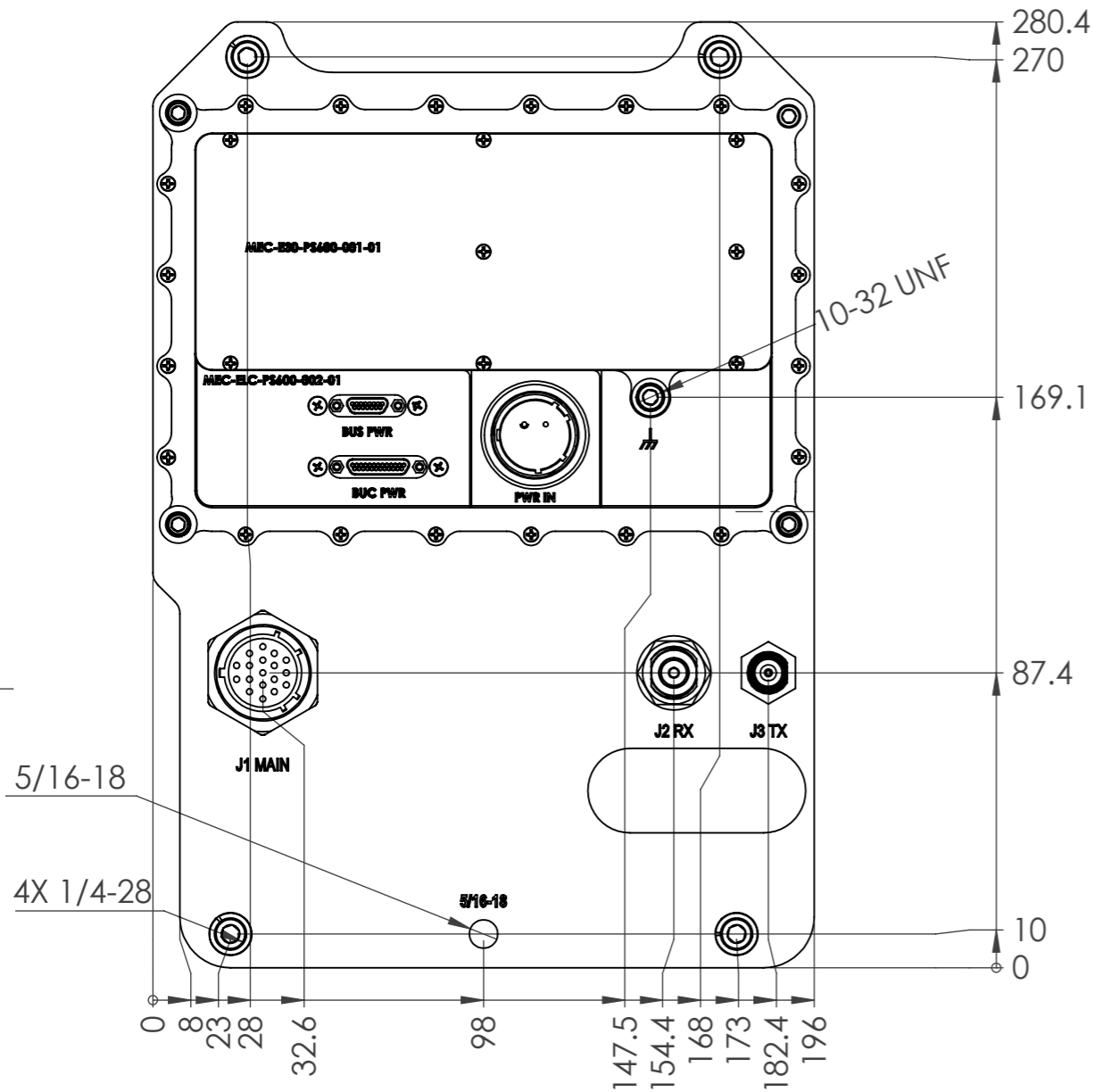


MKA-60E

REV 01

THIS DOCUMENT CONTAINS PROPRIETARY INFORMATION OF **MOST LTD.**,
AND MAY NOT BE REPRODUCED, COPIED DISCLOSED OR UTILIZED IN ANY WAY, IN WHOLE OR
IN PART, WITHOUT THE PRIOR WRITTEN CONSENT OF **MOST LTD.**

ZONE	REV	DESCRIPTION	DATE	APVD



FIRST ANGLE PROJECTION		NAME	DATE	POWER SUPPLY ASSEMBLY		
		DRAWN	D.B			27/12/2023
GENERAL TOLERANCES (ISO 2768-V) FROM TO(INCD)		DESIGN	D.B			27/12/2023
0	6	±0.5	CHECK			D.B
6	30	±1.0	APVD	ZAHI	27/12/2023	
30	120	±1.5	DEBURR ALL SHARP EDGES AND CORNERS			
120	400	±2.5	NEXT ASSY. --			
400		±4.0	DWG NO. MEC-KA60-000			
ANGLES		±1.0°	SCALE: 1:10			
DIMENSIONS: MM		DO NOT SCALE DRAWING		SIZE: A3	REV 01	
				SHEET 2 of 2		